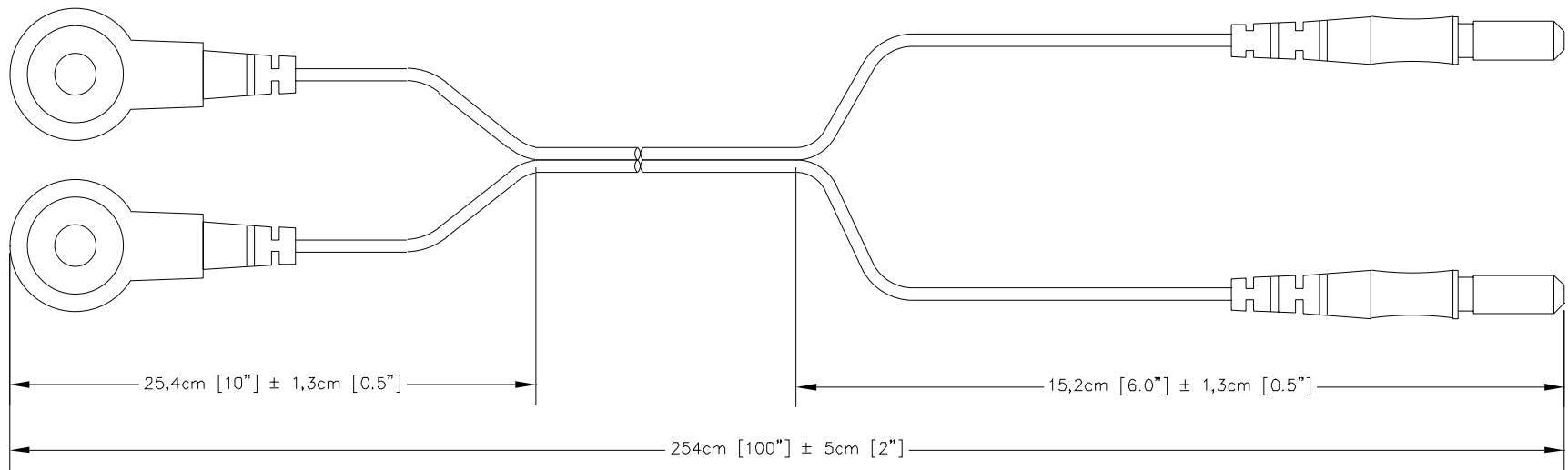


REV.	DESCRIPTION	ECO	CHNG BY	APPROVED BY	DATE
------	-------------	-----	---------	-------------	------



TOLERANCES: .XX = ±.01" .XXX = ±.005" .XXXX = ±.002" FRAC. = ±1/64" ANGLES = ±1/2" UNLESS OTHERWISE SPECIFIED	MATERIAL:	DRAWN BY:	DATE:	COMPANY: DYMEDIX, INC. Minneapolis, MN Proprietary and Confidential	
	FINISH:	APPROVED BY:	DATE:	SIZE: B DO NOT SCALE DRAWING	TITLE: LEAD, ELECTRODE, SNAP, DUAL 1.5mm DIN SOCKET, 100" DIMENSIONS ARE IN INCHES UNLESS OTHERWISE NOTED
				SCALE: NONE	SHEET: 1 of 1 DWG. NO.: